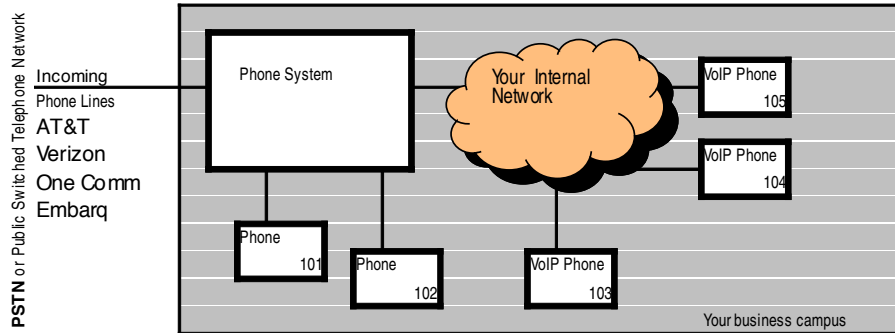


Common Types of VoIP Connections

1. VoIP to local phones in the same office

Phones in the same building

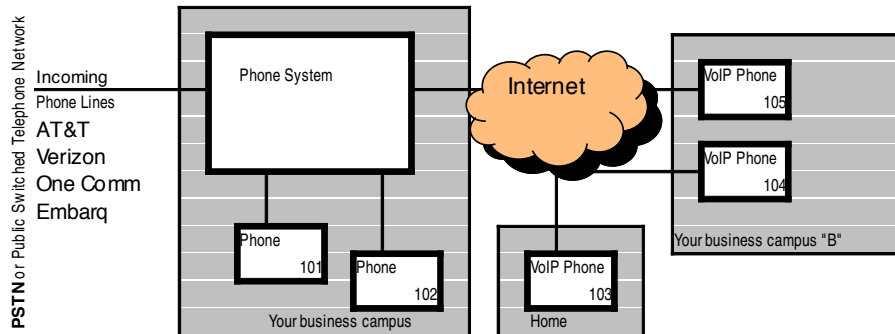


Why would I do this VoIP?
Ease of moving phones
Every I.T. Manager loves this job security

What are the negatives?
Costs more than digital
Digital moves can actually be made just as ea:
Often hidden costs to make local network more robust

2. VoIP to phones in remote locations not in the office

Phones elsewhere in the world

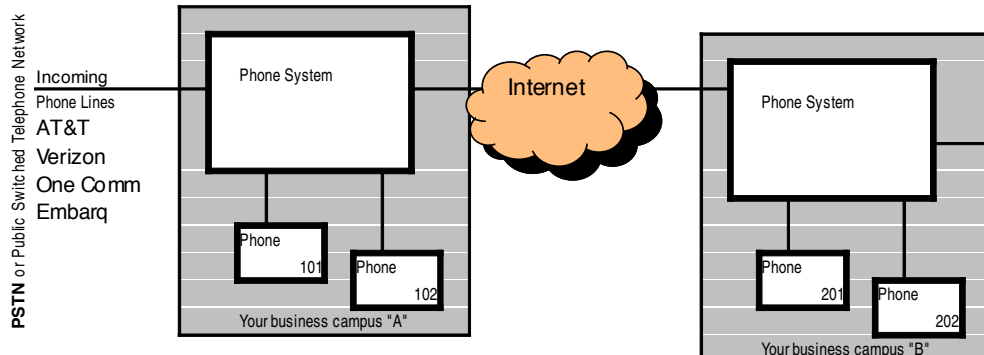


Why would I do this VoIP?
Makes phones appear like they are in Office
Reduces some Long Distance charges

What are the negatives?
Requires good hi speed internet at every locati
May not have local line service on the system phone

3. VoIP between 2 or more systems

Phone System elsewhere in the world

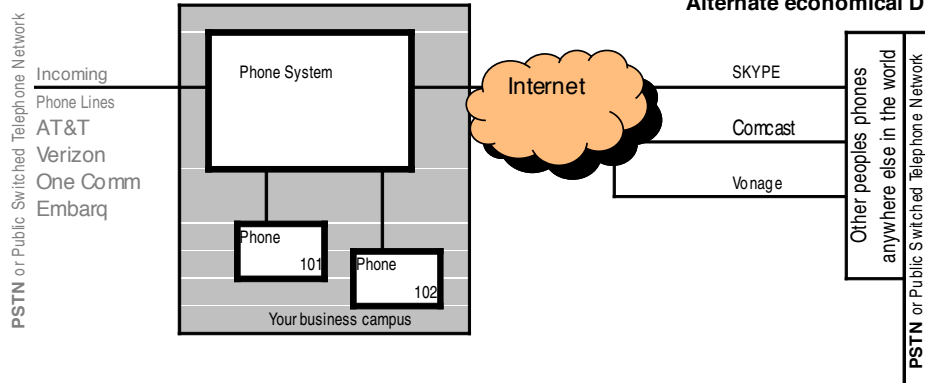


Why would I do this VoIP?
Makes phones appear like in same Office
Reduces some Long Distance charges

What are the negatives?
Requires good hi speed internet at every locati

4. VoIP between you and the outside world

Alternate economical Dial Tone & Long Distance



Why would I do this VoIP?
Dramatically reduce local line charges
Dramatically reduce Long Distance charge:
Make office appear as if in remote location:

What are the negatives?
May not have 911 service on system phone
May not support Fax

5. Any combination of 2 or more of the above VoIP options

Why would I do this VoIP?

Maximize the advantages for your application